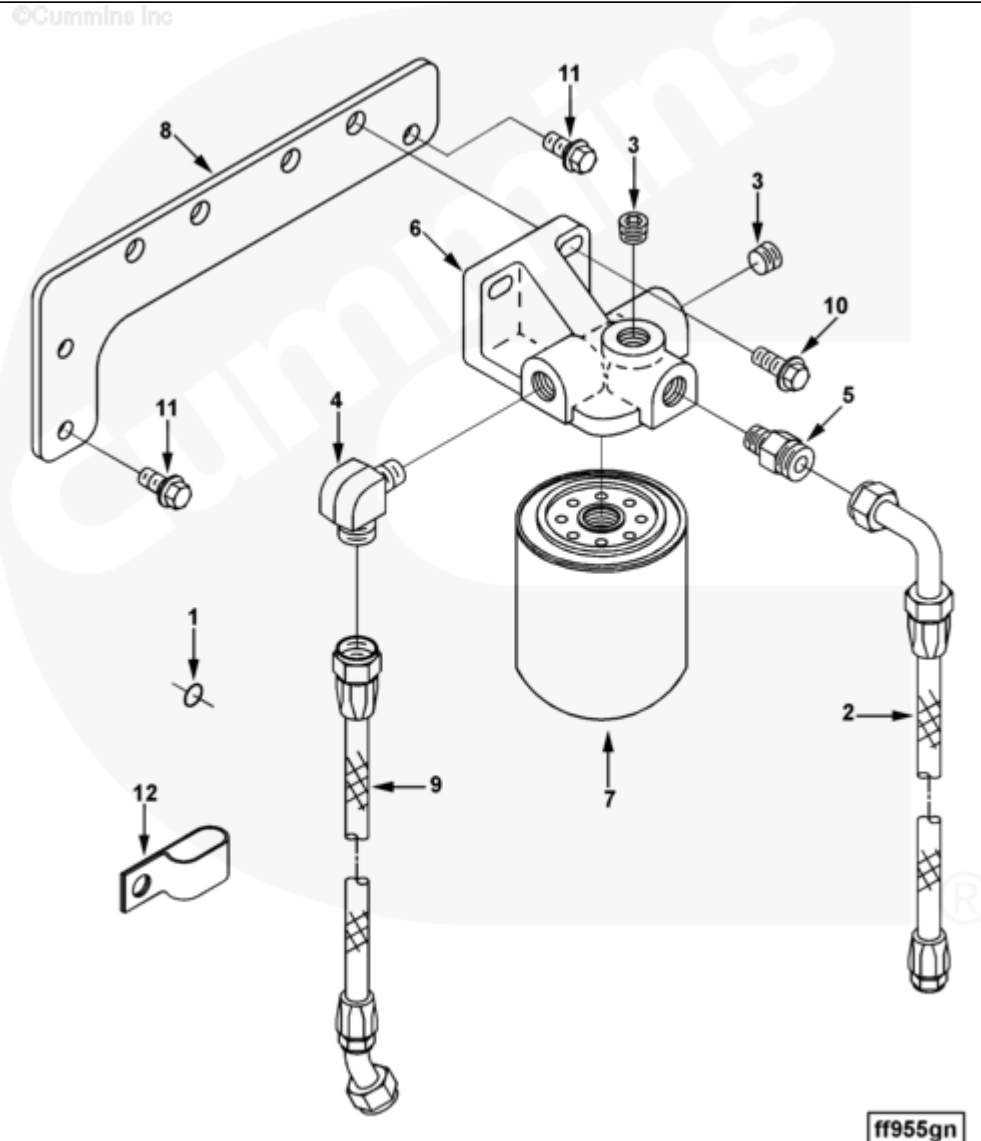


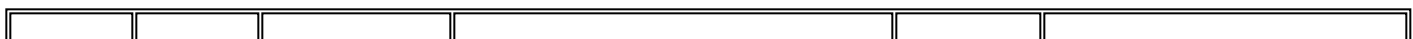


Parts Catalog - Option Detail

Electronic Parts Catalog - Option Detail				
Option	Group	Graphic	Film Card	Date
FF9146-02	06.04	ff955gn	Z	02-NOV-98
Engines	6C8.3, C GAS PLUS CM556, G8.3, G8.3 CM558, GTA8.3 CM558, ISC CM2150, ISC CM554, ISC CM850, ISC8.3 CM2250, ISC8.3 G CM2180 C101, ISL CM2150, ISL CM554, ISL CM850, ISL G CM2180, ISL8.9 CM2150 L110, ISL8.9 CM2880 L112, ISL9 CM2150 SN, ISL9 CM2250, ISL9 CM2350 L101, ISL9 CM2350 L111, ISLE4 CM850, L GAS PLUS CM556, L8.9, L8.9 L121, L8.9G CMOH2.0 L125B, L9 CM2350 L116B, L9 CM2350 L119B, L9 CM2350 L120C, L9 CM2350 L123B, L9.3 L105, L9.5 L117, L9N CM2380 L124B, QSC8.3 CM2250, QSC8.3 CM2880 C102, QSC8.3 CM554, QSC8.3 CM850(CM2850), QSL9 CM2250, QSL9 CM2250 L115, QSL9 CM2350 L102, QSL9 CM2350 L107, QSL9 CM2350 L118, QSL9 CM2350 L122, QSL9 CM554, QSL9 CM850(CM2850), QSL9 G CM558, QSL9 M CM2250 L106, QSL9.3 CM2880 L113			



SMALL | MEDIUM | LARGE



Cart	Ref No	Part Number	Part Description	Required	Remarks
<input type="button" value="View My Cart"/>					
		FF9146-02	Fuel Filter		
					Mtg. Angle from Crank C/L:
					Remote
					Filter Mtg. Direction:
					Forward
					Element Style: Spin on
					Installation Responsibility:
					Cummins
					Filter Location: Remote
					Absolute Filtration
					(microns): 25
					Compatible with Lift Pump:
					Yes
					Restricted Fuel Pump Style:
					Inline
					Engine Family: C Series
					Engine Cylinders: 6
					Pump Side Filter Access:
					Remote Mount
<input type="checkbox"/>	1	102030	O-Ring Seal	2	
<input type="checkbox"/>	2	3393846	Flexible Hose	1	
<input type="checkbox"/>	3	3628609	Pipe Plug	2	3/8-18.
<input type="checkbox"/>	4	3866195	Male Adapter Elbow	1	
<input type="checkbox"/>	5	3866230	Oil Transfer Connection	1	
<input type="checkbox"/>	6	3890011	Fuel Filter Head	1	
	7	3890017	Fuel Filter	1	
<input type="checkbox"/>	8	3897191	Filter Bracket	1	

<input type="checkbox"/>	9	3897707	Flexible Hose	1	
<input type="checkbox"/>	10	3902460	Hexagon Flange Head Cap Screw	2	M10 X 1.50 X 25.
<input type="checkbox"/>	11	3903990	Hexagon Flange Head Cap Screw	3	M10 X 1.50 X 20.
<input type="checkbox"/>	12	3925720	Clip	1	

© 2019 Cummins Inc., Box 3005, Columbus, IN 47202-3005 U.S.A.
Terms of Use and Disclaimers | Recommended System Requirements
Need Assistance? Please click on the Contact Us button in the top right corner of any page.